



**PRODUCT: BCS BASYX/M-HPC Heat Pump Controller**

**Product Overview**

The BASYX/M-HPC is a heat pump controller in our modular control systems package. The unit provides all control and monitoring of any rooftop or split system heat pump unit. The package includes one (1) room temperature sensor with setpoint adjustment and override and one (1) supply air temperature sensor.

The HPC is interconnected with additional BASYX/M controllers through a twisted pair cable, with maximum system configuration of 256 controllers. The system includes HVAC, lighting and refrigeration modules, and is ideal for convenience store, food service and retail applications. This network will provide access to all controllers through a single modem or direct connection.

The BASYX/M system is maintained and monitored through a Windows based interface program, providing total system interrogation, programming and report generation through a direct connection, modem connection or intranet/internet interface module.



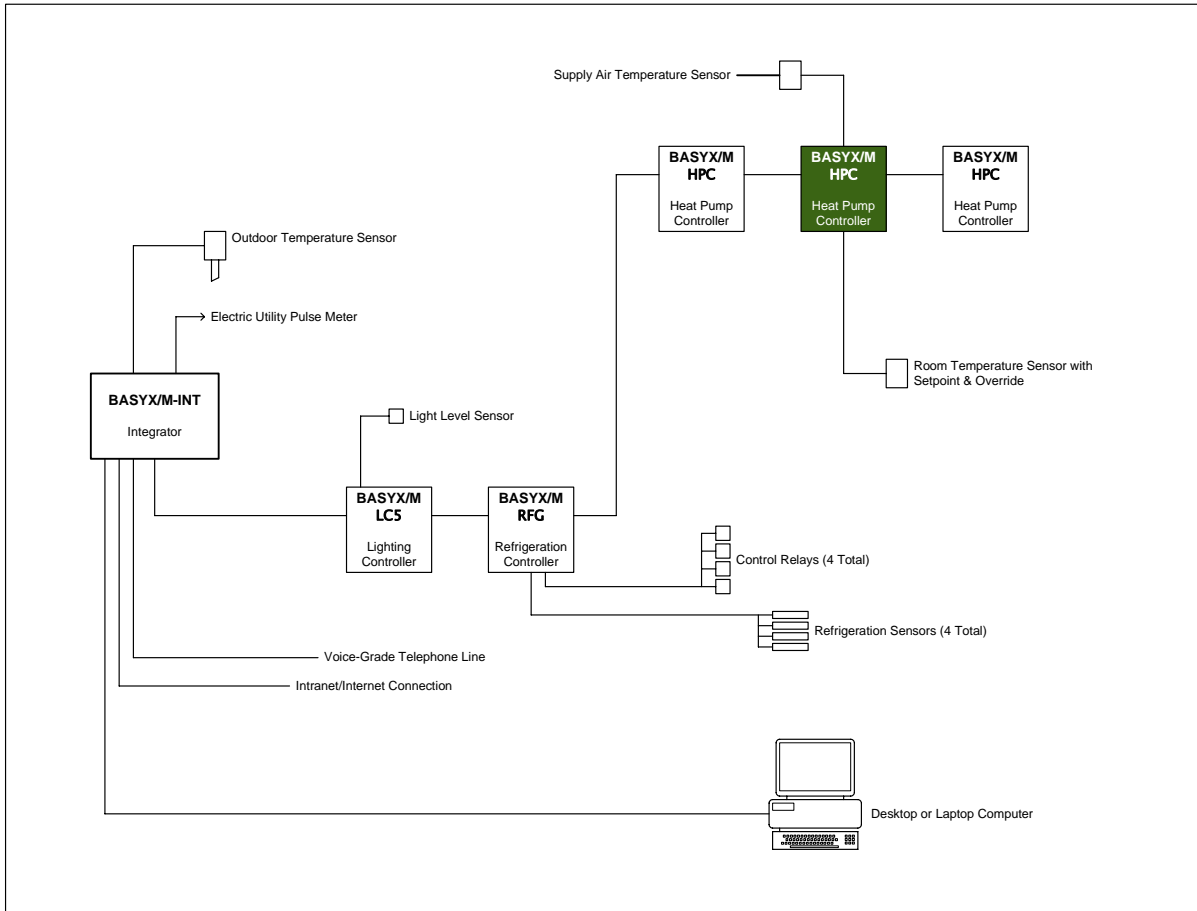
**Features**

- Utilizes the standard BASYX RFC programmable system controller.
- Provides full access through direct USB connection or system data bus from INT controller.
- Complete control of rooftop or split system heat pump, including water source heat pumps.
- Room temperature sensor with setpoint adjustment and system override.
- Supply air temperature sensor for system monitoring.
- Optional fan status and dirty filter switches.
- Program integrity through battery backed-up RAM – Retains system programming with power off.
- System total configuration of 256 controllers allows projects exceeding 6,100 points.
- Controller network length of 4000 feet.
- 24vac power reduces installation cost.
- Complete logic and global capabilities.

**Specifications**

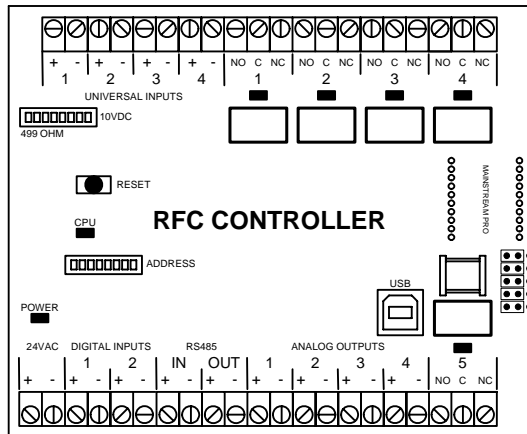
Communication:	EIA RS-485 at 57.6K baud on 18AWG shielded, plenum rated cable (Recommended Belden 6300FE or equivalent)
Power Requirements:	Voltage: 24VAC (-10% / 5%), 50/60/Hz Current: 3.2VA Recommend 7VA transformer sizing for AC power
Ports:	RS-485 communications bus USB direct connect communications port
Environmental Limits:	Temperature: 32°F to 125°F. Humidity (non-condensing): 95%
UL Listing:	ANSI/UL 916
Enclosure:	Nema 1 screw cover
Dimensions:	12.0"W x 12.0"H x 4.0"D
Shipping Weight:	Approx 10.0 lbs.

# System Configuration



BASYX/M Configuration

# Controller Details



Although accurate at the time of publication, data is subject to change without notice.