



PRODUCT: BCS BASYX/M-RFG Refrigeration Controller

Product Overview

The BASYX/M-RFG is a refrigeration system controller for our modular control systems package. The unit provides complete control of coolers and freezers, and includes four (4) refrigeration bulb sensors and four (4) SPDT control relays. Redundant control is provided by the system by interfacing with existing cooler/freezer controls

The RFG is interconnected with additional BASYX/M controllers through a twisted pair cable, with maximum system configuration of 256 controllers. The system includes HVAC, lighting and refrigeration modules, and is ideal for convenience store, food service and retail applications. This network will provide access to all controllers through a single modem or direct connection.

The BASYX/M system is maintained and monitored through TriComm, a Windows based graphical interface program. It provides total system interrogation, programming and report generation through a direct USB connection. All software is provided with an unlimited user license, allowing interface through any owner approved computer.



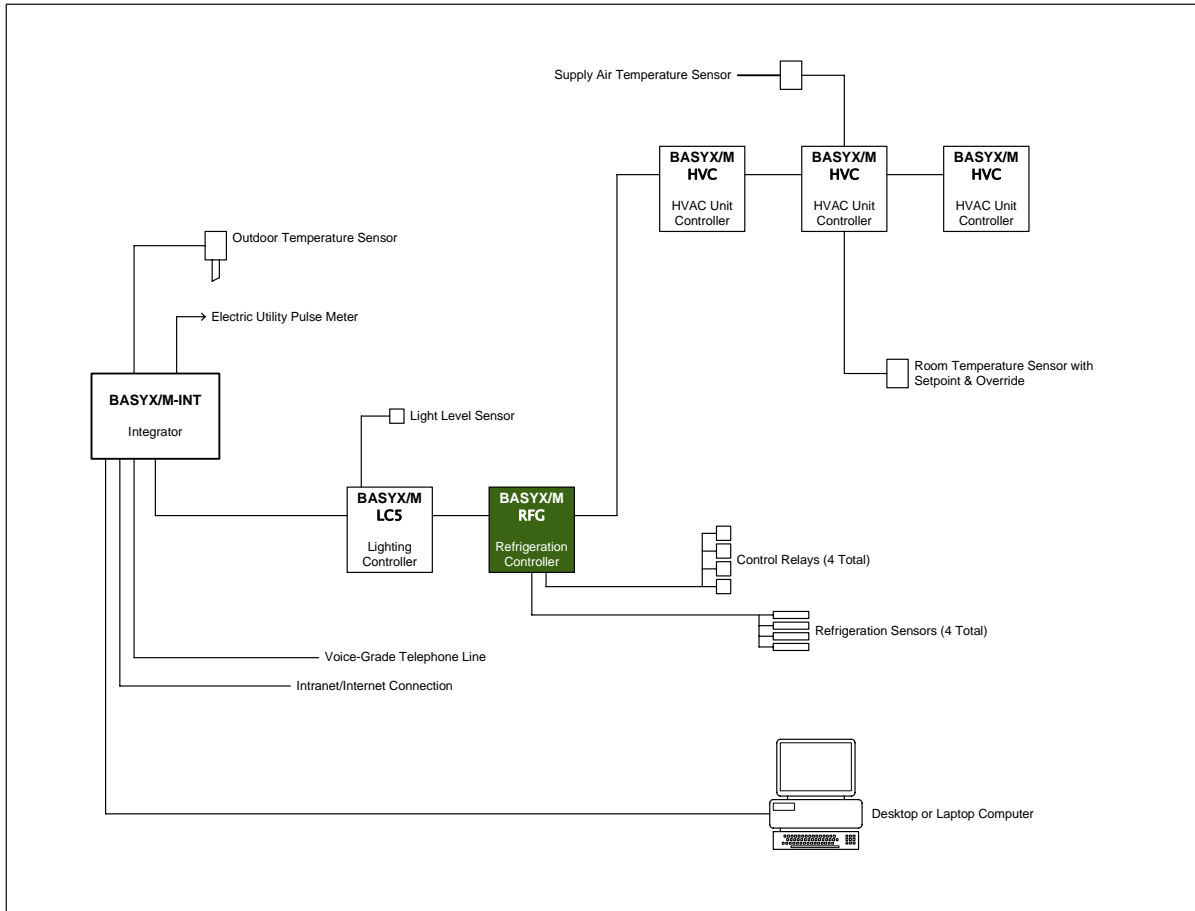
Features

- Utilizes the standard BASYX RFC programmable system controller.
- Four (4) refrigeration temperature sensors included.
- Four (4) SPDT control relays for interfacing with existing controls.
- Temperature control with extensive historical data downloads.
- Fully redundant control to maintain integrity of product.
- Windows program provides simple system setup and programming.
- Direct connection of laptop or personal computer system – All software included.
- Program integrity through battery backed-up RAM – Retains system programming without power.
- Includes interface software with unlimited license for local (direct) USB connection.
- Alarm dial-out capability.

Specifications

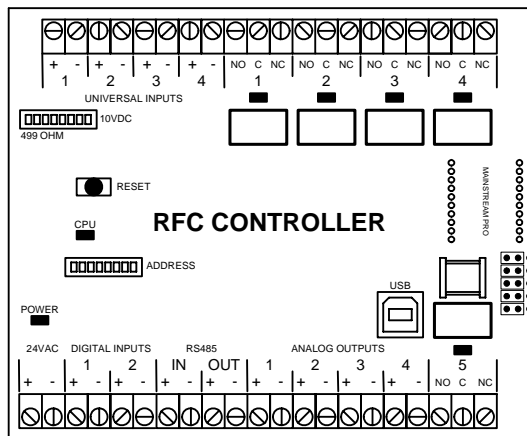
Communication:	EIA RS-485 at 57.6K baud on 18AWG shielded, plenum rated cable (Recommended Belden 6300FE or equivalent)
Power Requirements:	Voltage: 24VAC (-10% / 5%), 50/60/Hz Current: 3.2VA Recommend 7VA transformer sizing for AC power
Ports:	RS-485 communications bus USB direct connect communications port
Environmental Limits:	Temperature: 32°F to 125°F. Humidity (non-condensing): 95%
UL Listing:	ANSI/UL 916
Enclosure:	Nema 1 screw cover
Dimensions:	12.0"W x 12.0"H x 4.0"D
Shipping Weight:	Approx 10.0 lbs.

System Configuration



BASYX/m Configuration

Controller Details



Although accurate at the time of publication, data is subject to change without notice.