



Environmental Lighting Controls

BASYX/M Series Controls



Triangle MicroSystems presents the BASYX/M Series controllers for small to medium convenience store, retail, food service and other commercial applications. The M series is a family of application specific controllers intended to ease system design and reduce installation cost through complete system packages... All you need in one box. The BASYX/M is based upon our standard line of DDC controls, and provides full system benefits at a competitive price point.

You're In Control Now

PRODUCT: BCS BASYX/M-INT Integrator

Product Overview

The BASYX/M-INT Integrator is the primary controller in our modular control systems package. The unit provides all access with the system through the built-in modem, internet module and direct computer connection. An outdoor air temperature sensor is provided for global control of system functions.

The INT is interconnected with additional BASYX/M controllers through a twisted pair cable, with maximum system configuration of 256 controllers. The system includes HVAC, lighting and refrigeration modules, and is ideal for convenience store, food service and retail applications. This network will provide access to all controllers through a single modem or direct connection.

The BASYX/M system is maintained and monitored through a Windows based interface program, providing total system interrogation, programming and report generation through a direct connection, modem connection or intranet/internet interface module.



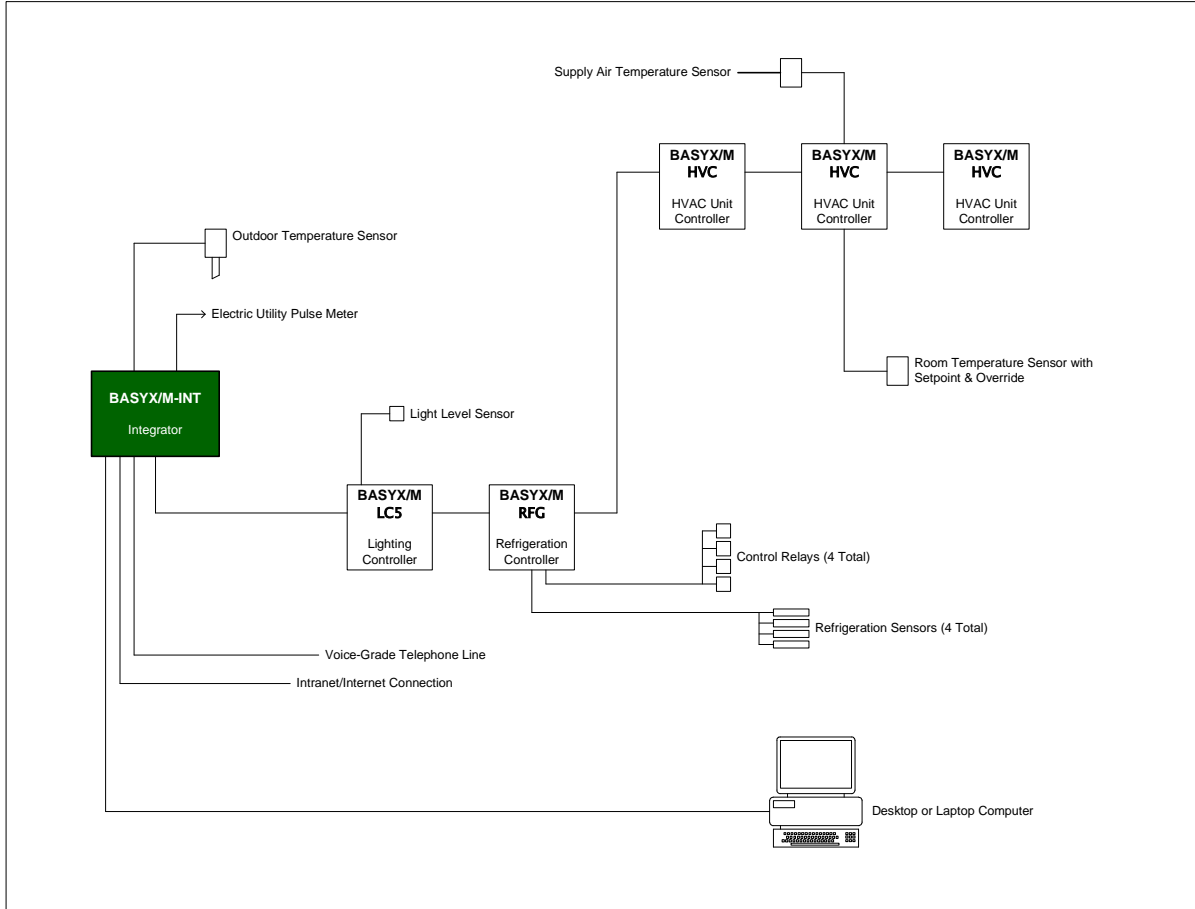
Features

- Utilizes the standard BASYX PSC programmable system controller.
- Provides full access through direct connect, modem or internet connection.
- Complete monitoring of up to four (4) digital pulse meters, with load management and historical reporting.
- Windows program provides simple system setup and programming.
- Direct connection of laptop or personal computer system.
- Program integrity through battery backed-up RAM – Retains system programming with power off.
- System total configuration of 256 controllers allows projects exceeding 6,100 points.
- Controller network length of 4000 feet.
- 24vac power reduces installation cost.
- Outdoor air temperature sensor.
- Complete logic and global capabilities.

Specifications

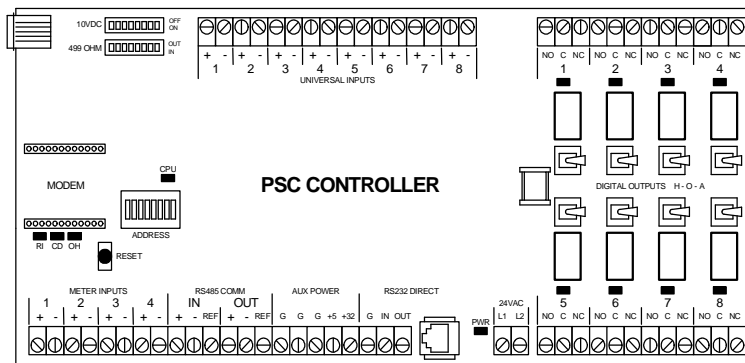
Communication:	EIA RS-485 at 57.6K baud on 18AWG shielded, plenum rated cable (Recommended Belden 6300FE or equivalent)
Power Requirements:	Voltage: 24VAC (-10% / 5%), 50/60/Hz Current: 3.2VA Recommend 7VA transformer sizing for AC power
Ports:	RS-485 communications bus RS-232 direct connect bus RS-232 modem socket TCP/IP Network module
Environmental Limits:	Temperature: 32°F to 125°F. Humidity (non-condensing): 95%
UL Listing:	ANSI/UL 916
Enclosure:	Nema 1 screw cover
Dimensions:	18.0"W x 12.0"H x 4.0"D
Shipping Weight:	Approx 15.0 lbs.

System Configuration



BASYX/m Configuration

Controller Details



PSC Programmable System Controller

PRODUCT: BCS BASYX/M-HVC Heating & Air Conditioning Controller

Product Overview

The BASYX/M-HVC is an HVAC controller in our modular control systems package. The unit provides all control and monitoring of any standard rooftop or split system heating and air conditioning unit. The package includes one (1) room temperature sensor with setpoint adjustment and override and one (1) supply air temperature sensor.

The HVC is interconnected with additional BASYX/M controllers through a twisted pair cable, with maximum system configuration of 256 controllers. The system includes HVAC, lighting and refrigeration modules, and is ideal for convenience store, food service and retail applications. This network will provide access to all controllers through a single modem or direct connection.

The BASYX/M system is maintained and monitored through a Windows based interface program, providing total system interrogation, programming and report generation through a direct connection, modem connection or intranet/internet interface module.



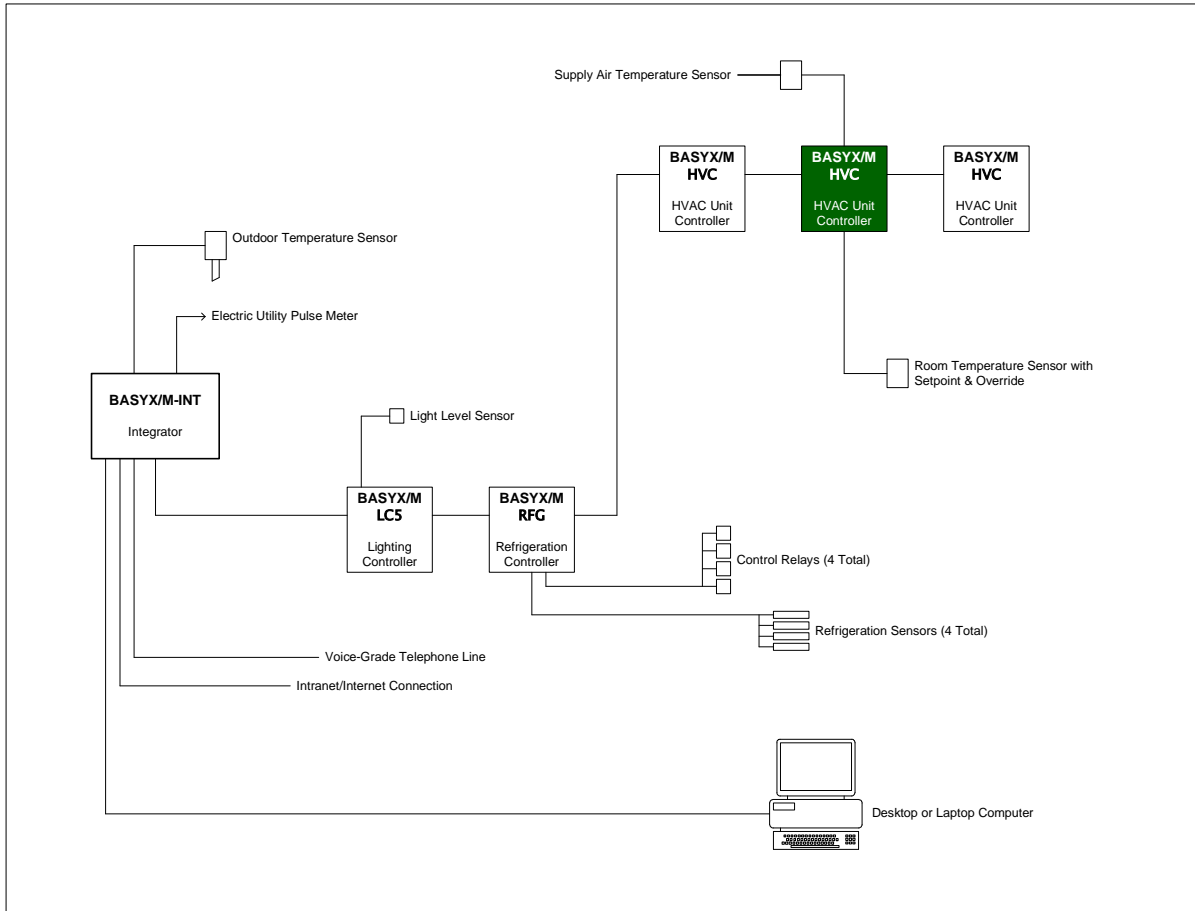
Features

- Utilizes the standard BASYX RFC programmable system controller.
- Provides full access through direct USB connection or system data bus from INT controller.
- Complete control of rooftop or split system heating and air conditioning equipment.
- Room temperature sensor with setpoint adjustment and system override.
- Supply air temperature sensor for system monitoring.
- Optional fan status and dirty filter switches.
- Program integrity through battery backed-up RAM – Retains system programming with power off.
- System total configuration of 256 controllers allows projects exceeding 6,100 points.
- Controller network length of 4000 feet.
- 24vac power reduces installation cost.
- Complete logic and global capabilities.

Specifications

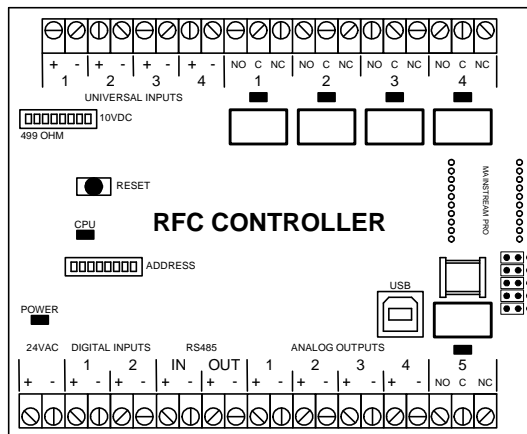
Communication:	EIA RS-485 at 57.6K baud on 18AWG shielded, plenum rated cable (Recommended Belden 6300FE or equivalent)
Power Requirements:	Voltage: 24VAC (-10% / 5%), 50/60/Hz Current: 3.2VA Recommend 7VA transformer sizing for AC power
Ports:	RS-485 communications bus USB direct connect communications port
Environmental Limits:	Temperature: 32°F to 125°F. Humidity (non-condensing): 95%
UL Listing:	ANSI/UL 916
Enclosure:	Nema 1 screw cover
Dimensions:	12.0"W x 12.0"H x 4.0"D
Shipping Weight:	Approx 10.0 lbs.

System Configuration



BASYX/m Configuration

Controller Details



PRODUCT: BCS BASYX/M-HPC Heat Pump Controller

Product Overview

The BASYX/M-HPC is a heat pump controller in our modular control systems package. The unit provides all control and monitoring of any rooftop or split system heat pump unit. The package includes one (1) room temperature sensor with setpoint adjustment and override and one (1) supply air temperature sensor.

The HPC is interconnected with additional BASYX/M controllers through a twisted pair cable, with maximum system configuration of 256 controllers. The system includes HVAC, lighting and refrigeration modules, and is ideal for convenience store, food service and retail applications. This network will provide access to all controllers through a single modem or direct connection.

The BASYX/M system is maintained and monitored through a Windows based interface program, providing total system interrogation, programming and report generation through a direct connection, modem connection or intranet/internet interface module.



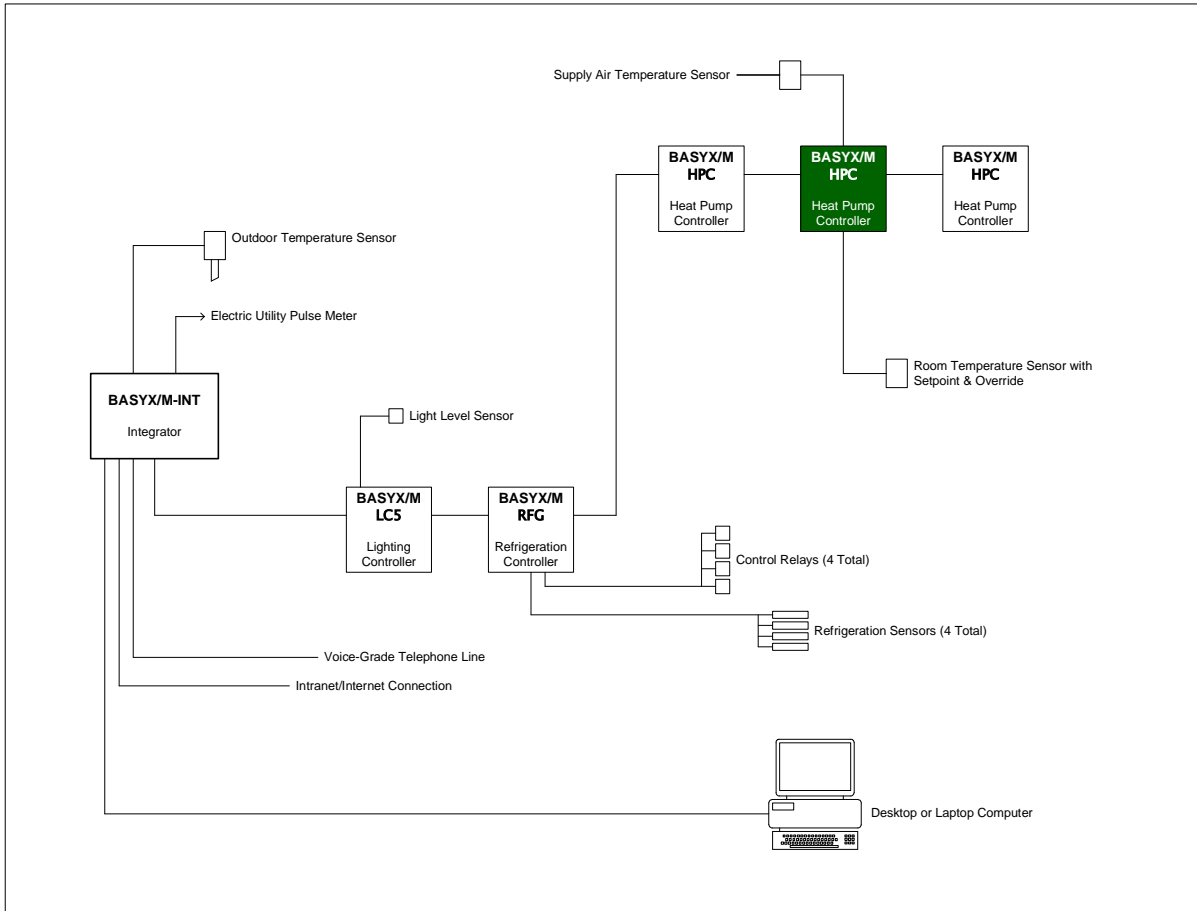
Features

- Utilizes the standard BASYX RFC programmable system controller.
- Provides full access through direct USB connection or system data bus from INT controller.
- Complete control of rooftop or split system heat pump, including water source heat pumps.
- Room temperature sensor with setpoint adjustment and system override.
- Supply air temperature sensor for system monitoring.
- Optional fan status and dirty filter switches.
- Program integrity through battery backed-up RAM – Retains system programming with power off.
- System total configuration of 256 controllers allows projects exceeding 6,100 points.
- Controller network length of 4000 feet.
- 24vac power reduces installation cost.
- Complete logic and global capabilities.

Specifications

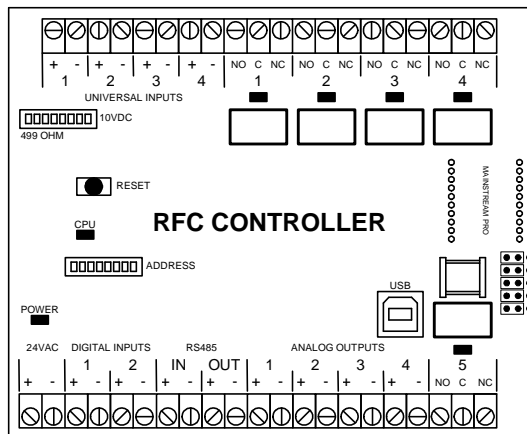
Communication:	EIA RS-485 at 57.6K baud on 18AWG shielded, plenum rated cable (Recommended Belden 6300FE or equivalent)
Power Requirements:	Voltage: 24VAC (-10% / 5%), 50/60/Hz Current: 3.2VA Recommend 7VA transformer sizing for AC power
Ports:	RS-485 communications bus USB direct connect communications port
Environmental Limits:	Temperature: 32°F to 125°F. Humidity (non-condensing): 95%
UL Listing:	ANSI/UL 916
Enclosure:	Nema 1 screw cover
Dimensions:	12.0"W x 12.0"H x 4.0"D
Shipping Weight:	Approx 10.0 lbs.

System Configuration



BASYX/M Configuration

Controller Details



PRODUCT: BCS BASYX/M-RFG Refrigeration Controller

Product Overview

The BASYX/M-RFG is a refrigeration system controller for our modular control systems package. The unit provides complete control of coolers and freezers, and includes four (4) refrigeration bulb sensors and four (4) SPDT control relays. Redundant control is provided by the system by interfacing with existing cooler/freezer controls

The RFG is interconnected with additional BASYX/M controllers through a twisted pair cable, with maximum system configuration of 256 controllers. The system includes HVAC, lighting and refrigeration modules, and is ideal for convenience store, food service and retail applications. This network will provide access to all controllers through a single modem or direct connection.

The BASYX/M system is maintained and monitored through TriComm, a Windows based graphical interface program. It provides total system interrogation, programming and report generation through a direct USB connection. All software is provided with an unlimited user license, allowing interface through any owner approved computer.



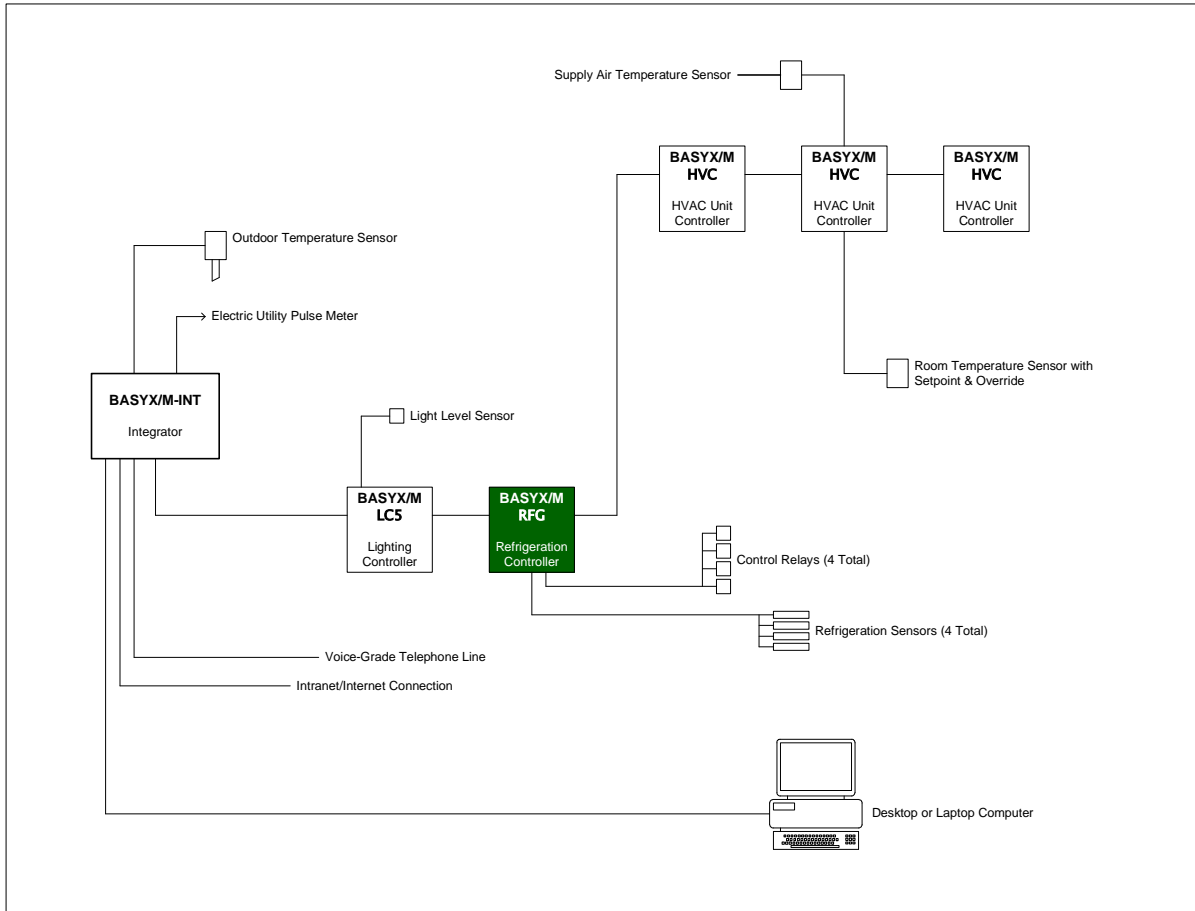
Features

- Utilizes the standard BASYX RFC programmable system controller.
- Four (4) refrigeration temperature sensors included.
- Four (4) SPDT control relays for interfacing with existing controls.
- Temperature control with extensive historical data downloads.
- Fully redundant control to maintain integrity of product.
- Windows program provides simple system setup and programming.
- Direct connection of laptop or personal computer system – All software included.
- Program integrity through battery backed-up RAM – Retains system programming without power.
- Includes interface software with unlimited license for local (direct) USB connection.
- Alarm dial-out capability.

Specifications

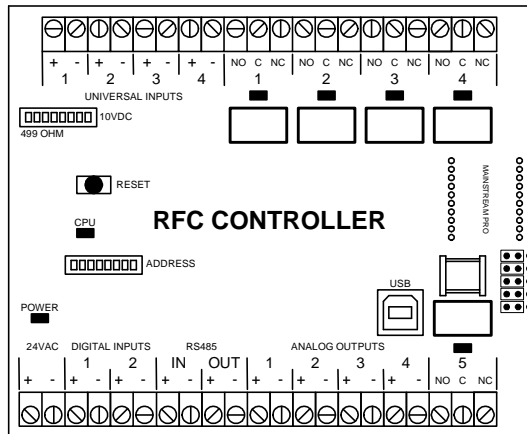
Communication:	EIA RS-485 at 57.6K baud on 18AWG shielded, plenum rated cable (Recommended Belden 6300FE or equivalent)
Power Requirements:	Voltage: 24VAC (-10% / 5%), 50/60/Hz Current: 3.2VA Recommend 7VA transformer sizing for AC power
Ports:	RS-485 communications bus USB direct connect communications port
Environmental Limits:	Temperature: 32°F to 125°F. Humidity (non-condensing): 95%
UL Listing:	ANSI/UL 916
Enclosure:	Nema 1 screw cover
Dimensions:	12.0"W x 12.0"H x 4.0"D
Shipping Weight:	Approx 10.0 lbs.

System Configuration



BASYX/m Configuration

Controller Details



PRODUCT: BCS BASYX/M-LC5 Lighting Controller

Product Overview

The BASYX/M-LC5 is a lighting controller for our modular control systems package. The system provides basic time-of-day scheduling, along with light sensor control for proper operation of outdoor lighting.

The LC5 allows control of up to five (5) lighting levels for control through SPDT pilot relays, which provide switching of lighting control voltage. In addition to lighting control the LC5 system can monitor air and space temperatures with optional sensors.

The BASYX/M system is maintained and monitored through TriComm, a Windows based graphical interface program. It provides total system interrogation, programming and report generation through a direct USB connection. All software is provided with an unlimited user license, allowing interface through any owner approved computer.



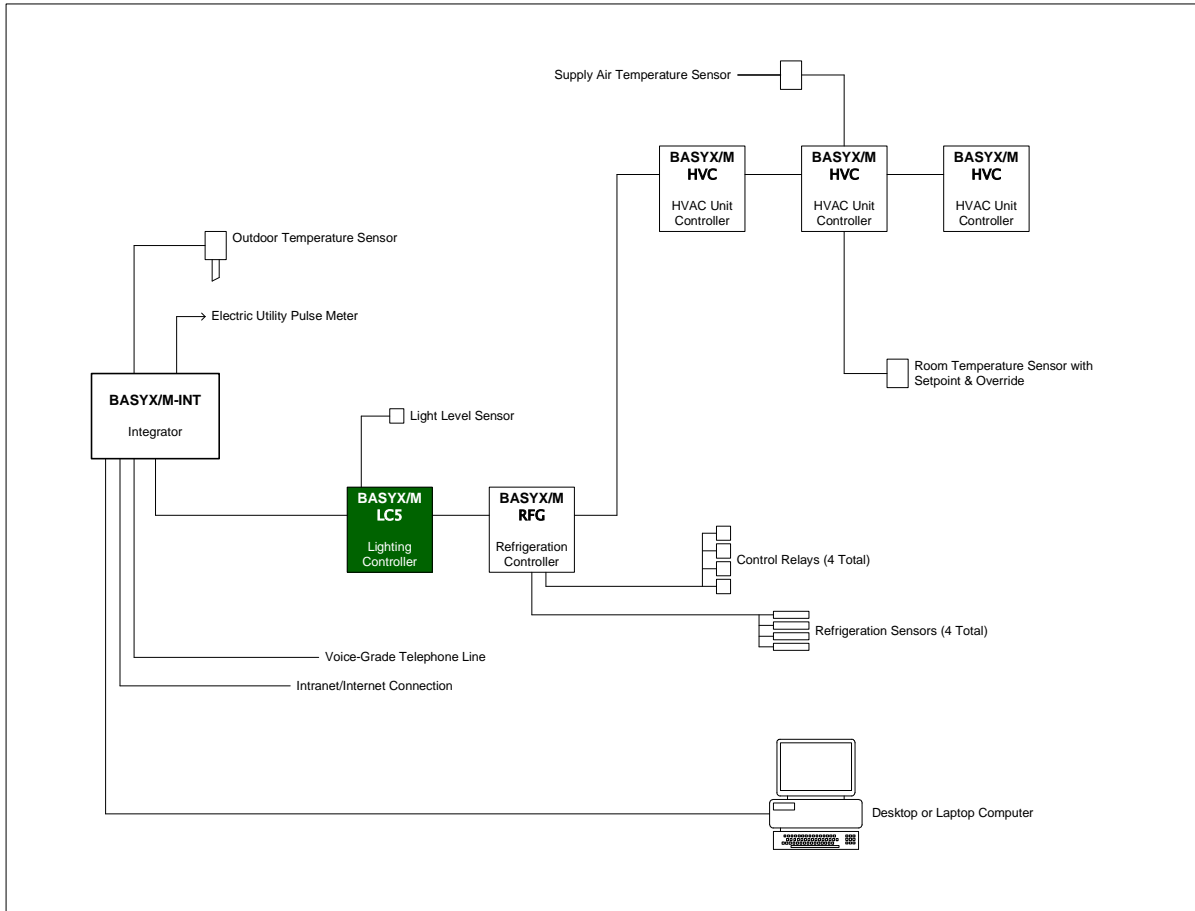
Features

- Utilizes the standard BASYX RFC programmable system controller.
- Pilot duty relays switch line or low voltage to field contactors.
- Time-of-day schedules easily modified through simple screens.
- Analog light sensor control of outdoor lighting with adjustable setpoints.
- Up to four (4) ON-OFF time schedules per day, per level.
- Windows program provides simple system setup and programming.
- Direct connection of laptop or personal computer system – All software included.
- Program integrity through battery backed-up RAM – Retains system programming without power.
- Includes interface software with unlimited license for local (direct) USB connection.
- Contains (2) digital meter inputs, (4) analog monitoring inputs.
- Alarm dial-out capability.

Specifications

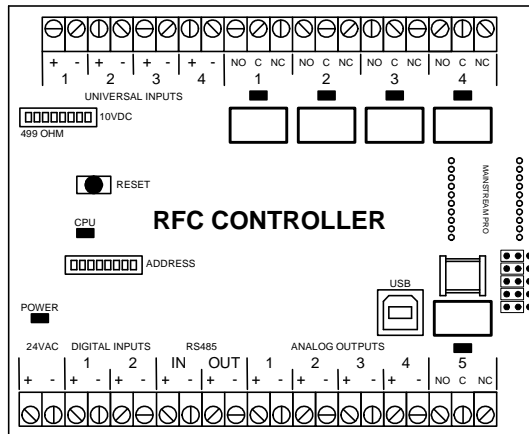
Communication:	EIA RS-485 at 57.6K baud on 18AWG shielded, plenum rated cable (Recommended Belden 6300FE or equivalent)
Power Requirements:	Voltage: 24VAC (-10% / 5%), 50/60/Hz Current: 3.2VA Recommend 7VA transformer sizing for AC power
Ports:	RS-485 communications bus USB direct connect communications port
Environmental Limits:	Temperature: 32°F to 125°F. Humidity (non-condensing): 95%
UL Listing:	ANSI/UL 916
Enclosure:	Nema 1 screw cover
Dimensions:	12.0"W x 12.0"H x 4.0"D
Shipping Weight:	Approx 10.0 lbs.

System Configuration



BASYX/m Configuration

Controller Details



CORPORATE OFFICE

Triangle MicroSystems, Inc
2716 Discovery Drive
Raleigh, NC 27616-1852
Office: 800.334.5548
Fax: 919.878.5554