



PRODUCT: BCS BASYX MCI Modular Classroom Integrator

Product Overview

The BASYX MCI Modular Classroom Integrator is the primary controller in our modular control systems package. The unit provides all access with the classroom system through the built-in modem, internet module or direct computer connection. An outdoor air temperature sensor is provided for global control of system functions.

The MCI is interconnected with the MC1Series classroom controllers through a wireless data bus system, with maximum system configuration of 256 controllers.

The MCI includes an integral BASYX RXM wireless modem and high gain omnidirectional antenna. In addition, one (1) RXB Wireless bridge with high gain antenna is included for wireless conversion to the MC1 controllers. See system configuration drawing for details on system installation.

The BASYX MCI system is maintained and monitored through a Windows based interface program, providing total system interrogation, programming and report generation through a direct connection, remote modem connection or optional intranet/internet connection.



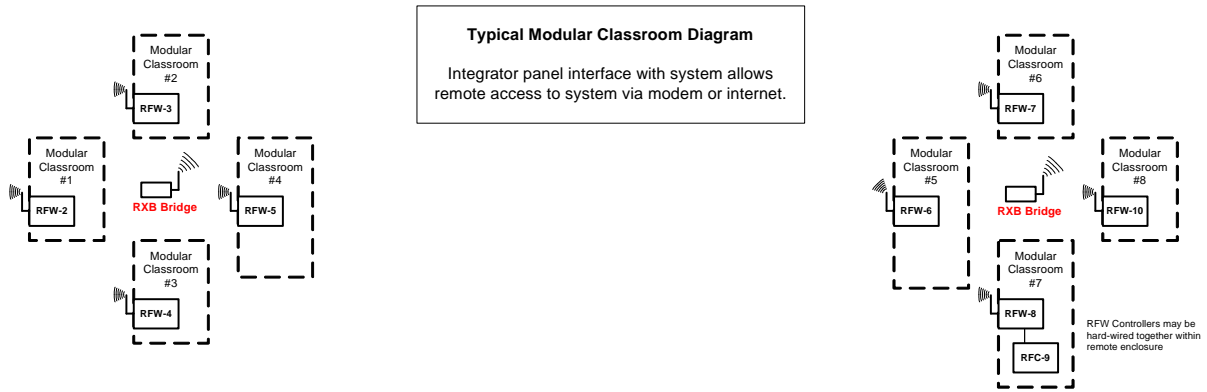
Features

- Utilizes the standard BASYX PSC programmable system controller.
- Allows remote access through direct connect, modem or internet connection.
- Windows program provides simple system setup and programming.
- Program integrity through battery backed-up RAM – Retains system programming with power off.
- Wireless modem for connection to remote classroom units with total system capacity of 256 controllers.
- Outdoor air temperature sensor.

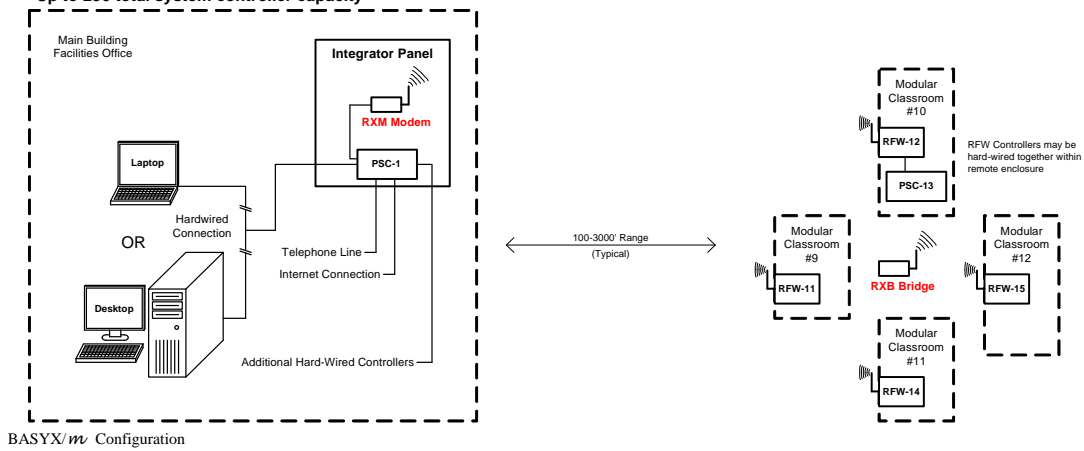
Specifications

Communication:	IEEE 802.15.4 Wireless 2.4 Ghz bus up to 300' indoor between controllers or EIA RS-485 at 57.6K baud on 18AWG shielded, plenum rated cable (Recommended Belden 6300FE or equivalent)
Power Requirements:	Voltage: 120VAC (-10% / 5%), 50/60/Hz Current: 3.2VA
Ports:	RS-485 communications bus RS-232 direct connect bus RS-232 modem socket Optional TCP/IP Network module
Environmental Limits:	Temperature: 32°F to 125°F. Humidity (non-condensing): 95%
UL Listing:	ANSI/UL 916
Enclosure:	Nema 1 screw cover
Dimensions:	18.0"W x 12.0"H x 4.0"D
Shipping Weight:	Approx 15.0 lbs.

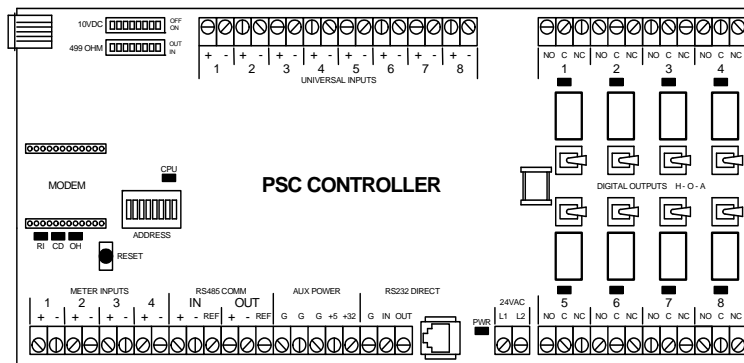
System Configuration



Up to 256 total system controller capacity



Controller Details



PSC Programmable System Controller

Although accurate at the time of publication, data is subject to change without notice.